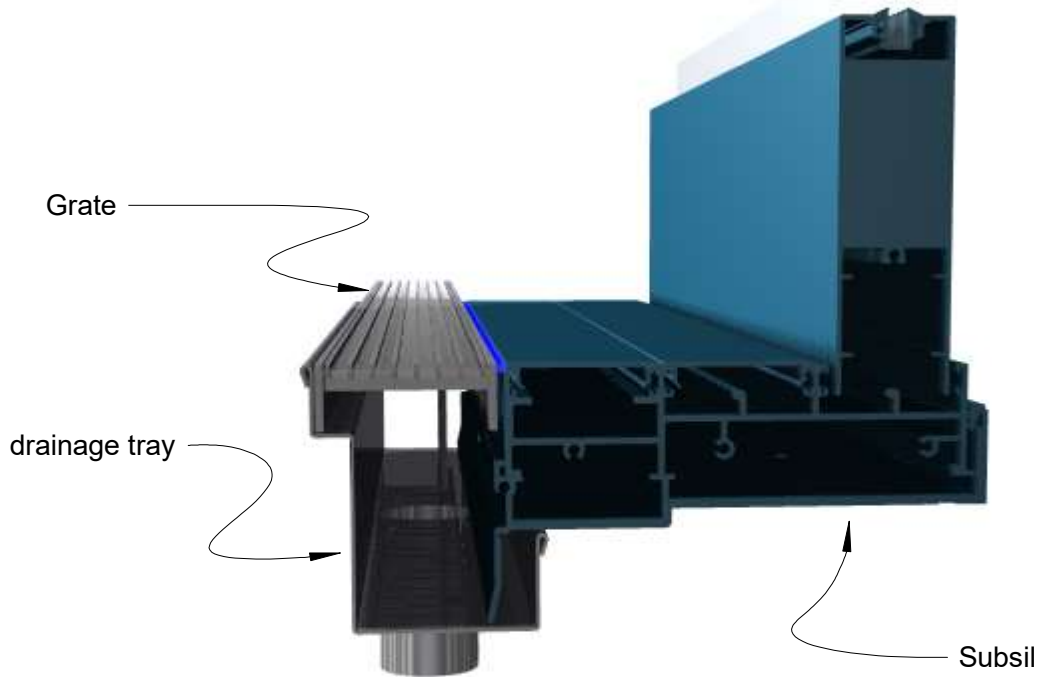


# TRTDi

## For 100 and 65 TRTDi

### Linear threshold Drainage System



- \* The entire door track and TRTDi are set in above and separate to waterproofing. Therefore waterproofing must be completed first.
- \* Install the door track sub-sil.
- \* When installing the TRDi, the tray needs to be slightly deeper than the lowest part of the Sub-sil.
- \* Standard installation sequence generally has the door track sub-sil in place before the drain. Therefore the tray may need to be slightly deeper than lowest part of the sub-sil to allow the drain channel to slide underneath the sub-sil.

\* Refer to;  
 Livable Housing Design Standard  
 AS1428 Design for Access and Mobility  
 AS4654 for waterproofing

\* Refer to;  
 NCC Volumes 1 & 2  
 AS1428 Design for Access and Mobility  
 AS4654 for waterproofing

\* Lengths longer than 3m have saddle joins in the channel.  
 Use Sika 11FC and primer 215 to seal the saddle joins.

