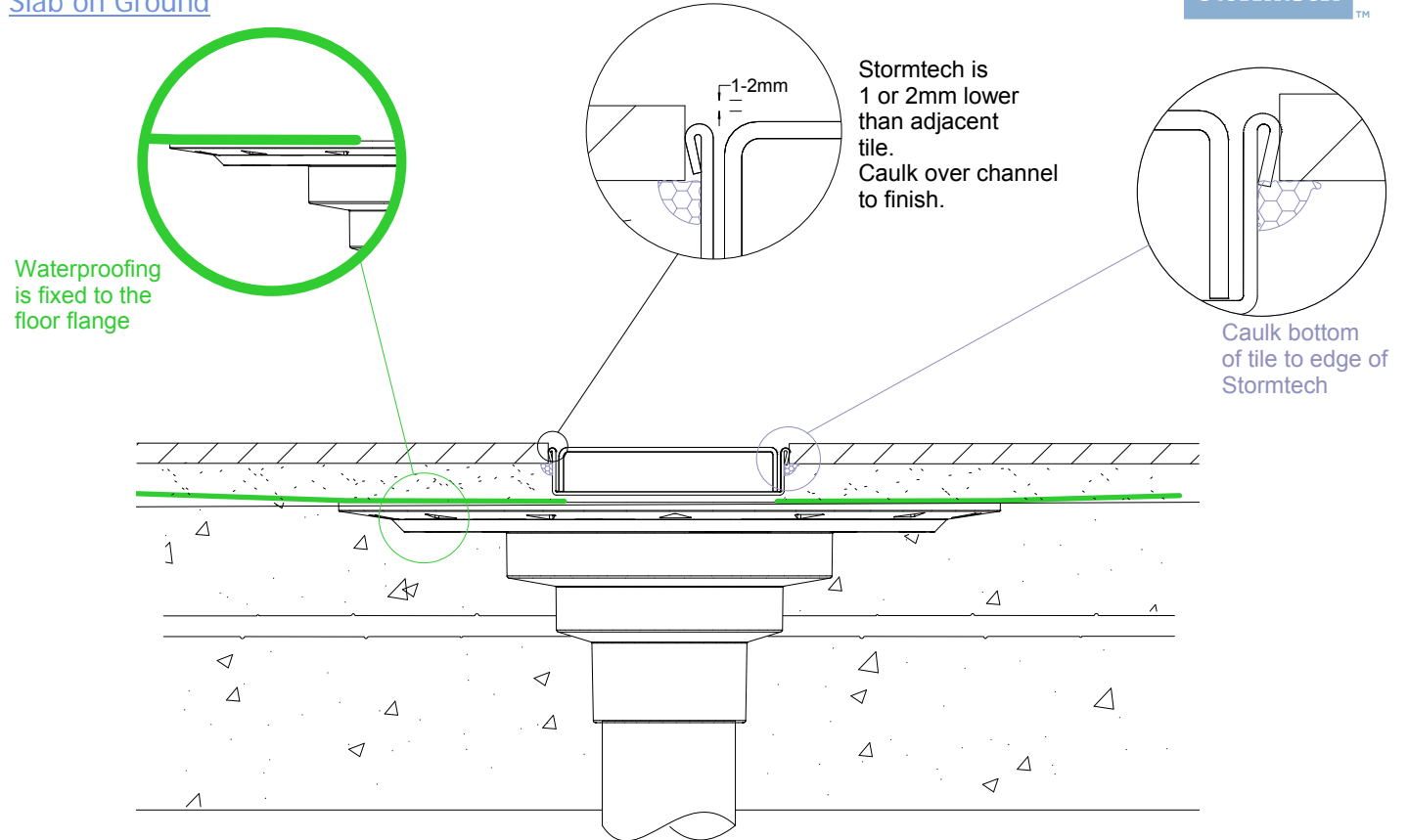


100i20 Concrete Floor or Deck

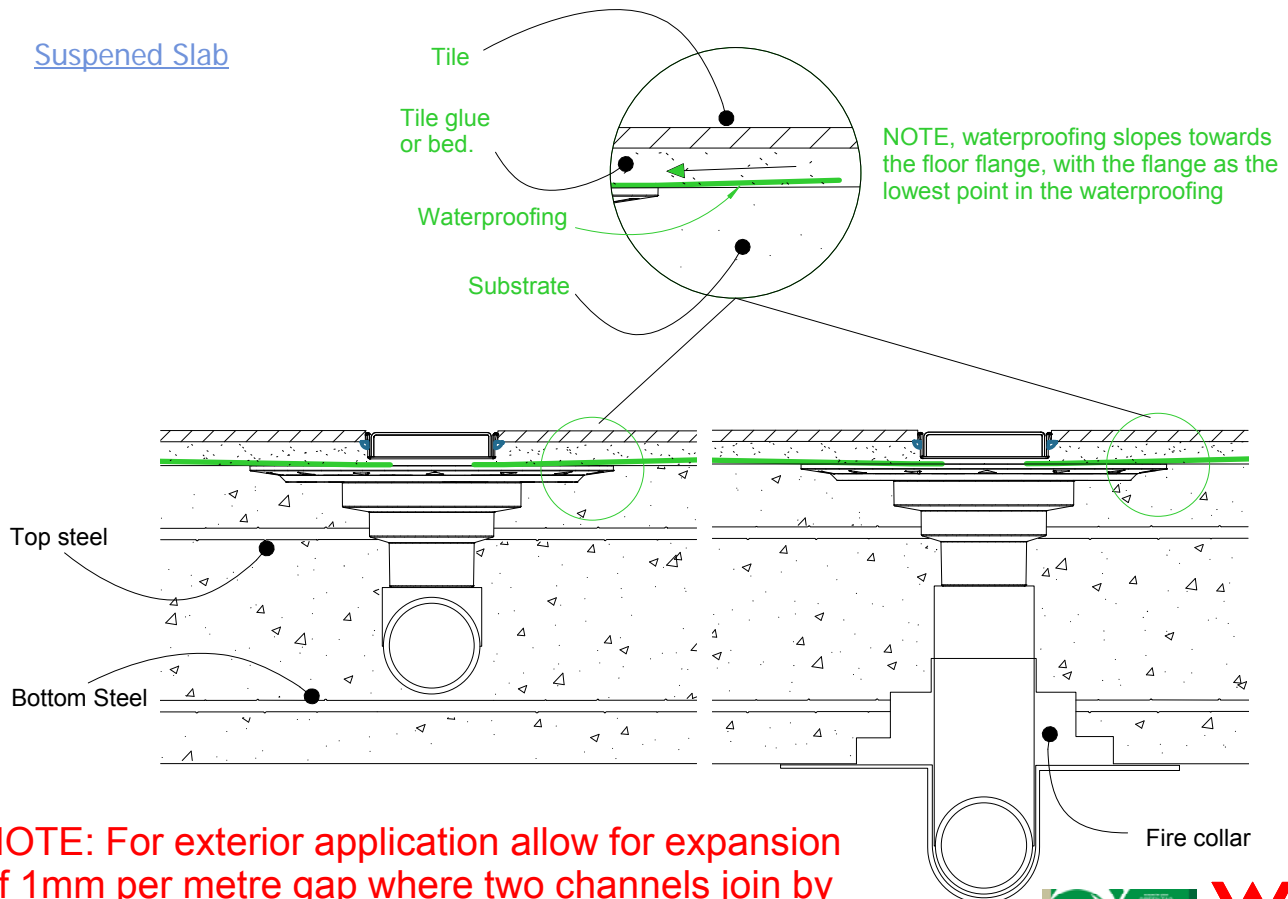
For 100AR20, 100PS20,
100TR20, 100MND20.



Slab on Ground



Suspended Slab



NOTE: For exterior application allow for expansion of 1mm per metre gap where two channels join by using quality suitable flexible sealant on channel joiners.

