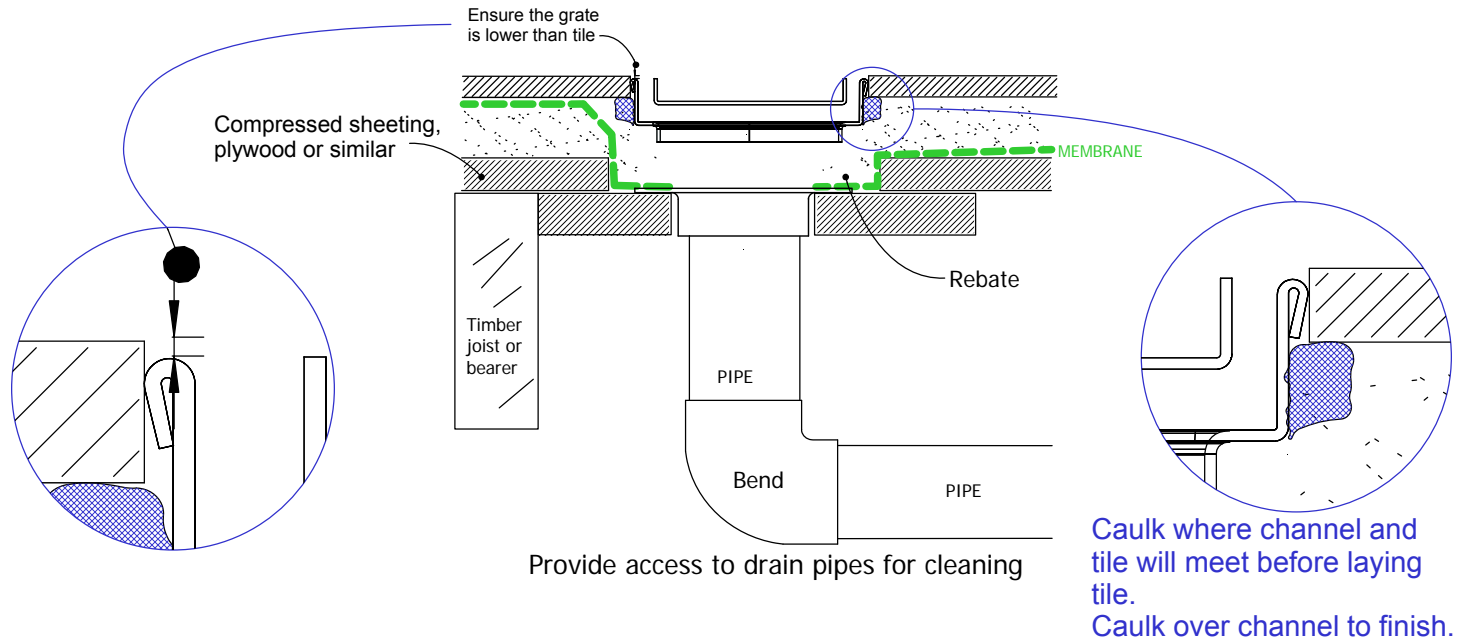


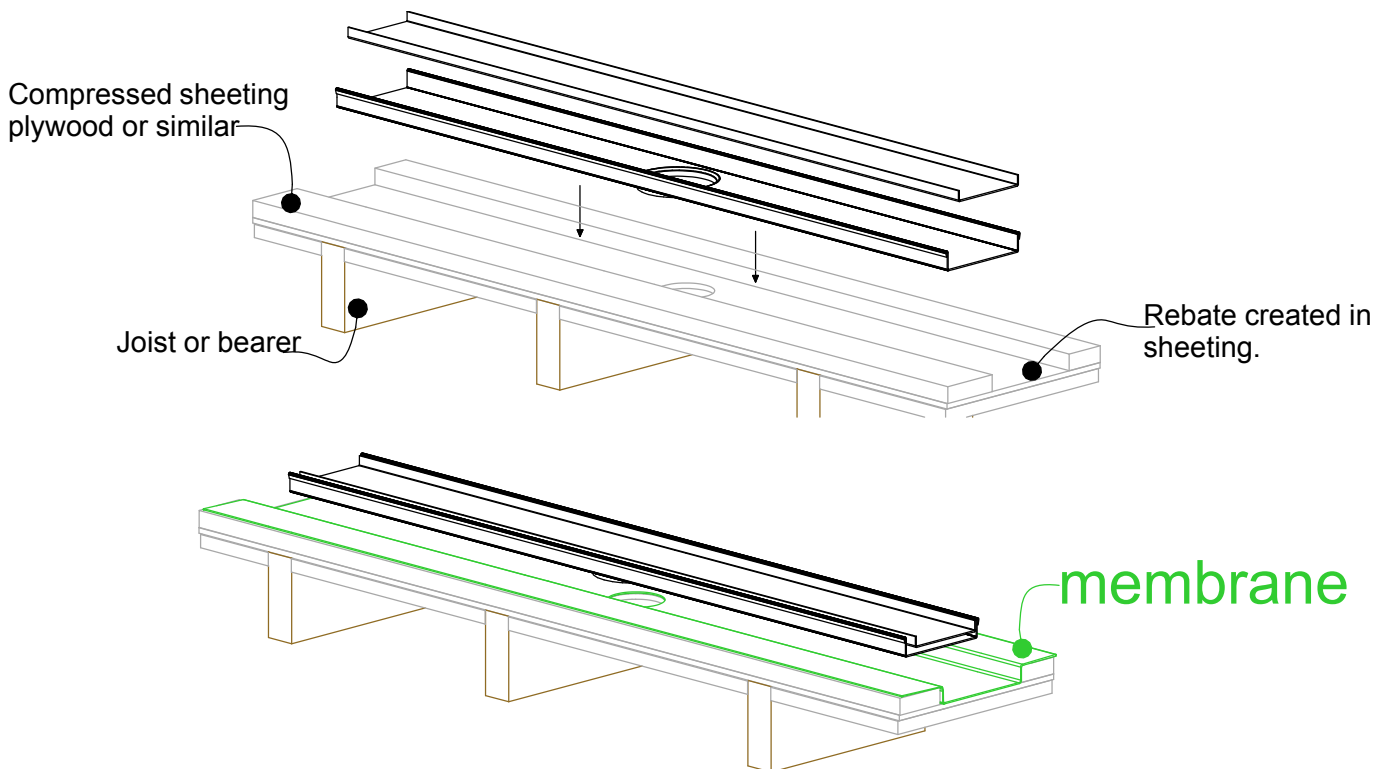
100Tii20 TIMBER FLOOR/DECK



When 100Tii20 is running parallel to joist/bearer



When 100Tii20 is running perpendicular to joist/bearer



NOTE: For exterior application allow for expansion of 1mm per metre by using quality suitable flexible sealant on channel joins.

