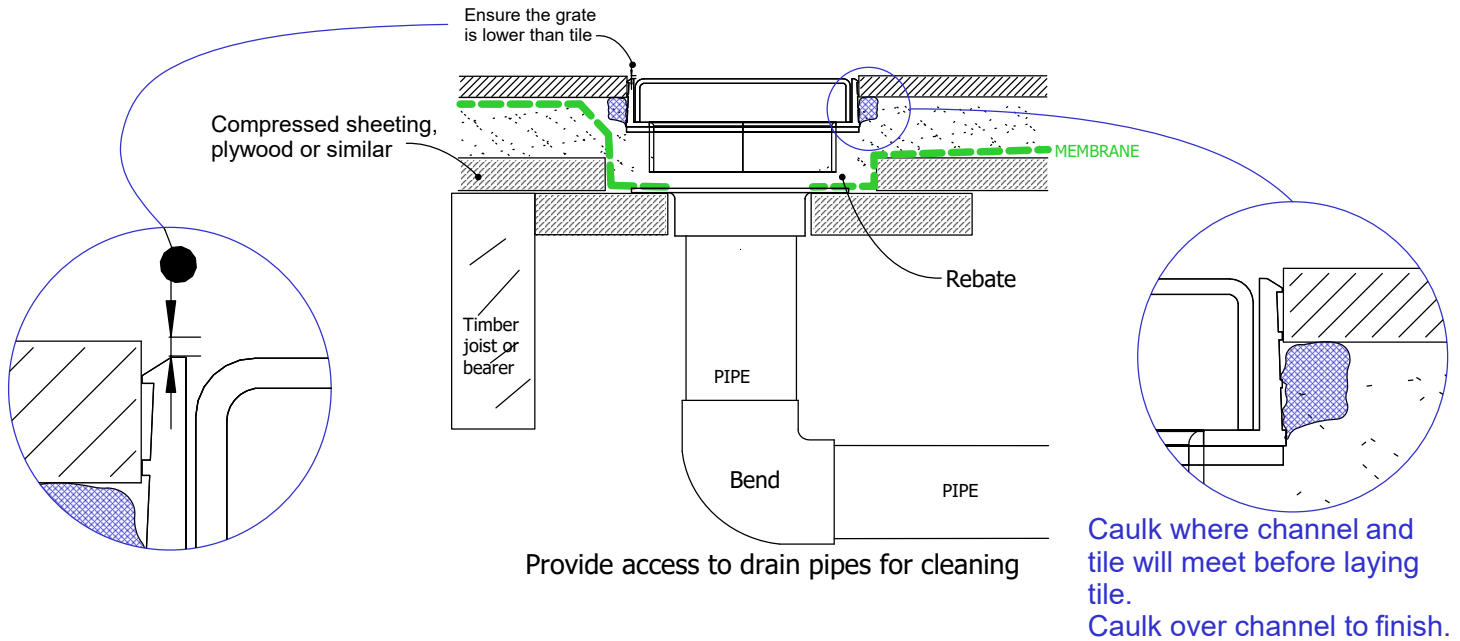


100G20 TIMBER FLOOR/DECK

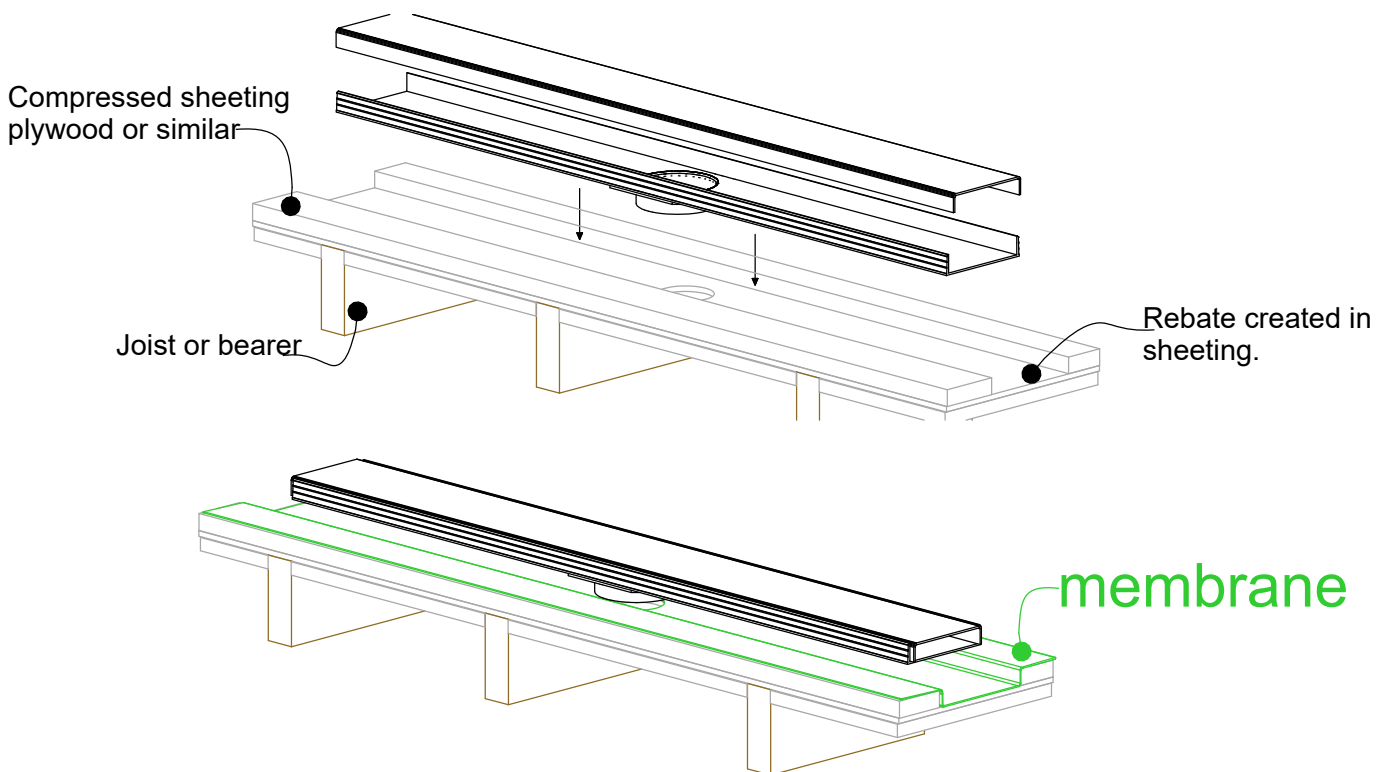
For 100ARG20, 100PSG20,
100TRG20, 100MNDG20, 100AAG20.



When 100G20 is running parallel to joist/bearer



When 100G20 is running perpendicular to joist/bearer



NOTE: For exterior application allow for expansion of 1mm per metre by using quality suitable flexible sealant on channel joins. Use PVC solvent cement and primer on ends and outlets.

